

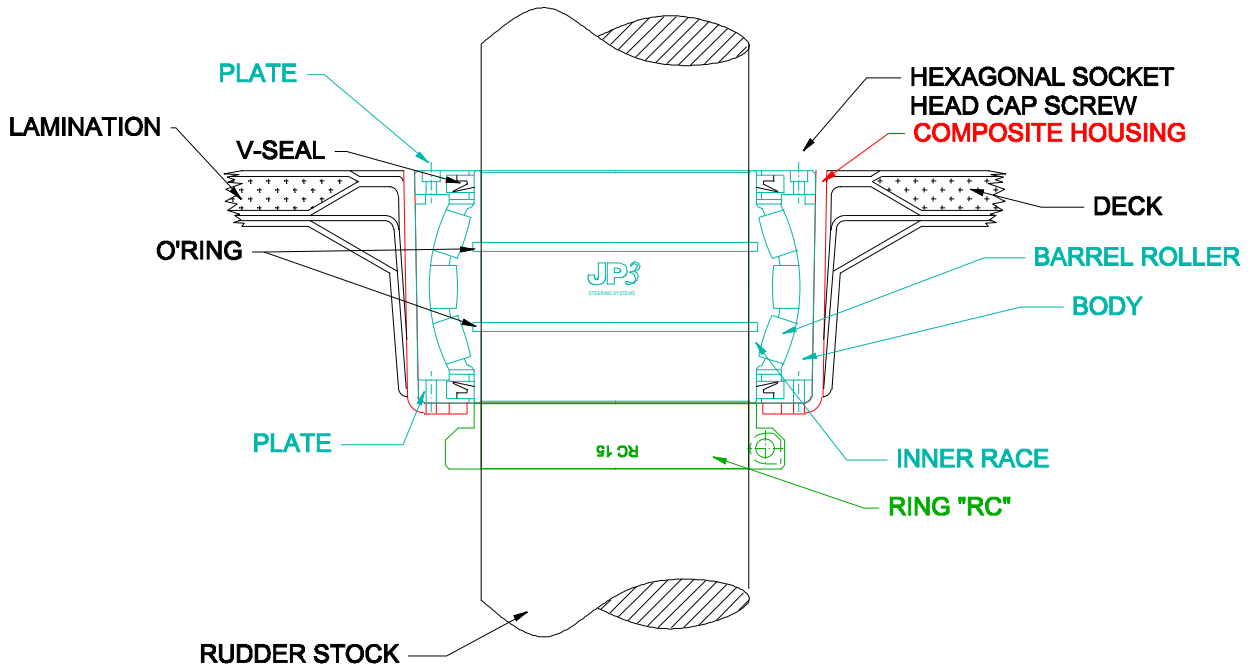
**JP3.**

STEERING SYSTEMS

IMPLANTATION OF TYPE IV BEARING  
FOR COMPOSITE BOAT

48.22.xx

44.32.xx



**JP3.**

STEERING SYSTEMS

IMPLANTATION OF TYPE IV BEARING  
FOR COMPOSITE BOAT

48.20.xx

44.30.xx

